

SERVICE HANDBOOK

SR-2020 SR-3030 MC-50 FR-3060
SR-1050 SR-2050 SR-4050

The service handbooks for the column (A) are all applicable to ones in the column (B).

A	SR-2020	SR-3030	SR-1050	SR-2050	SR-1050	FR-3060
B	SR-2020BC	SR-3030BC	SR-1050C	SR-2050C	SR-1050C	
			SR-1050E	SR-2050E		
			SR-1050K	SR-2050K		

 SANSUI ELECTRIC COMPANY LIMITED

1. SPECIFICATION

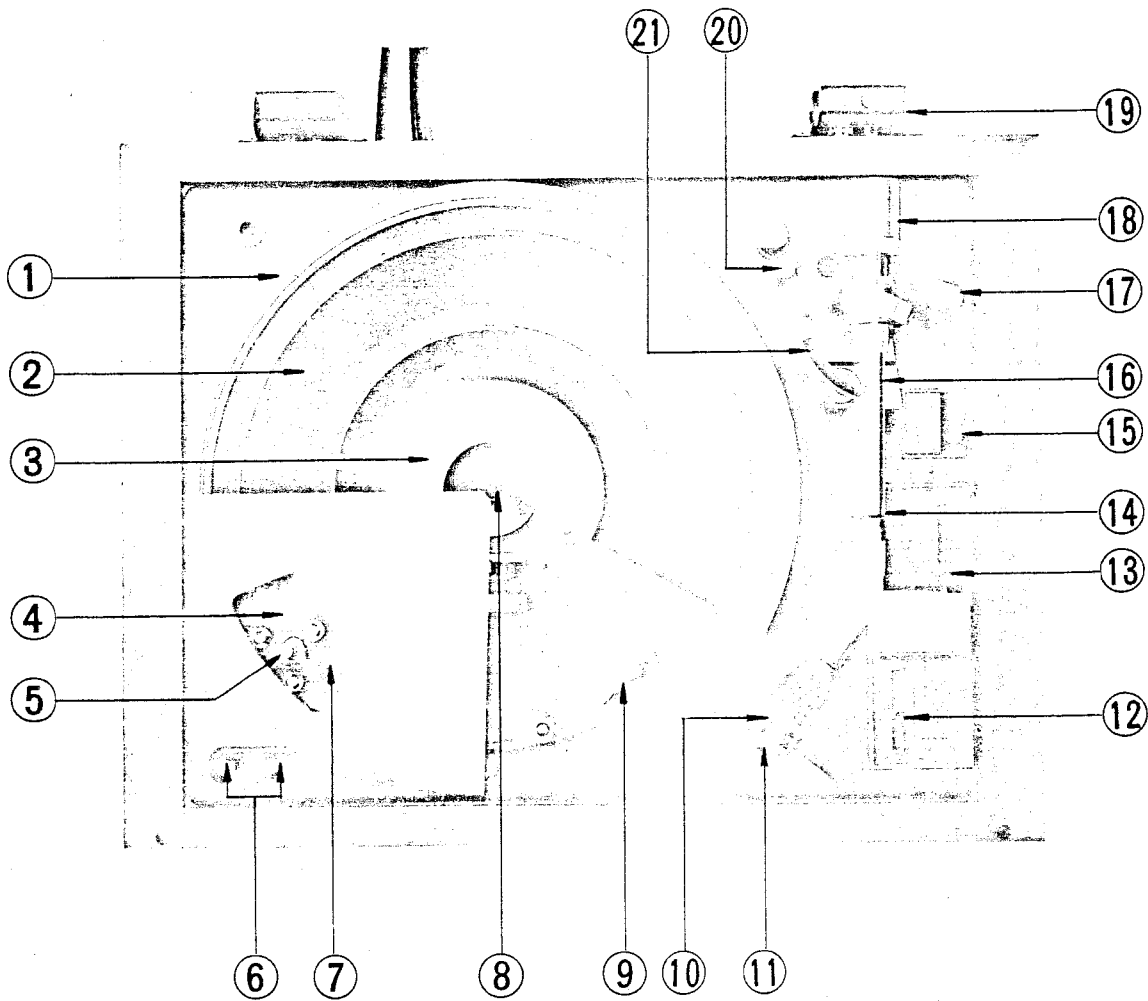
Type:	Two-speed belt driven automatic turntable
Rated speed:	33 $\frac{1}{3}$ rpm, 45 rpm
Turntable:	Aluminum alloy die-cast 300 mm
Tonearm:	Statically-balanced tubular
Motor:	4-pole synchronous
Wow & Flutter:	Less than 0.07 %
S/N ratio:	Better than 47 dB
Stylus pressure:	2 grams
Cartridge:	Induced magnet type (SC-36)
Output voltage:	3.5 mV
Stylus:	0.5 mil diamond (SN-36)
Power source:	120 V or 240 V, 50/60 Hz
Dimensions:	Width 464 mm (18 $\frac{1}{4}$ "") Height 195 mm (7 $\frac{1}{16}$ "") Depth 353 mm (13 $\frac{5}{16}$ "")
Weight:	9.5 kg (20.91 bs)

* Design and specifications are subject to change without notice for improvements.



FR-3060

2. CONTROLS, INDICATORS AND OTHERS



- | | | |
|-------------------------|----------------------|-------------------------|
| ① Turntable (Platter) | ⑧ Turntable spindle | ⑮ Manual tonearm lifter |
| ② Turntable rubber mat | ⑨ Spare capstan | ⑯ Tonearm |
| ③ Turntable ring | ⑩ Shell | ⑰ Lateral weight |
| ④ Belt | ⑪ Cartridge (Stylus) | ⑱ Main weight |
| ⑤ Capstan | ⑫ Cuing lever | ⑲ Auto hinge |
| ⑥ Speed selector button | ⑬ Selector lever | ⑳ Bias weight |
| ⑦ Belt guide | ⑭ Arm rest | ㉑ Arm lifter |

3. ADJUSTMENT OF AUTO MECHANISM (See Fig. 3-1, 3-2, 3-3 and 3-4)

1. The adjusting screw "A" in Fig. 3-1 is the one to adjust the position of AUTO-UP (lifting off of the tone arm from the disk automatically). The adjusting screw "B" is the one to adjust the position of AUTO-IN (setting of the tone arm on the disk automatically).
2. To begin with, when the tone arm is located at the position as shown with line in Fig. 3-1, the adjusting screw "A" will appear in the adjusting hole. When the screw is turned clockwise, the action of AUTO-RETURN will become sooner. To the contrary, when it is turned counterclockwise, the action of AUTO-RETURN will become later. Make adjustment of the screw in such a way that auto-returning operation is carried out at the middle way of the lead-out groove.

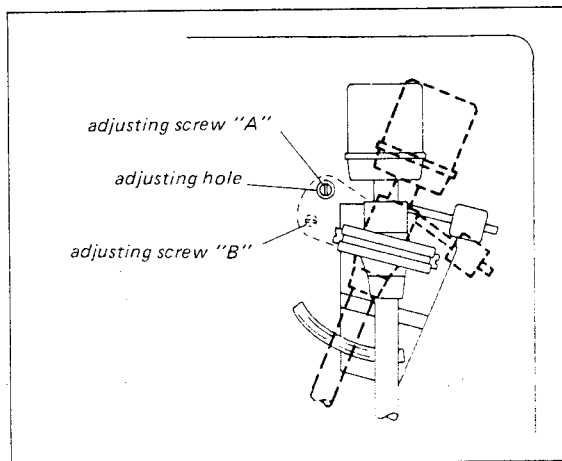


Fig. 3-1

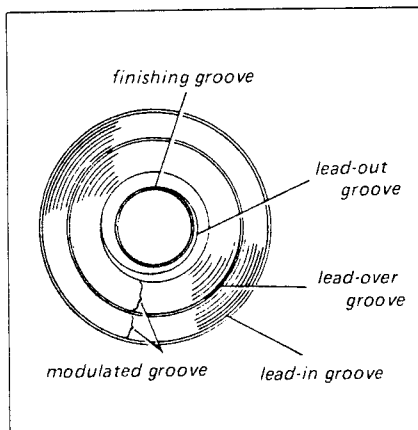


Fig. 3-2

3. When the tone arm is moved to the position shown with dotted line, the adjusting screw "B" will appear from adjusting hole. When the screw is turned counterclockwise, the timing of AUTO-IN will become sooner. To the contrary, when it is turned clockwise, the timing of AUTO-IN will become later. Adjust it in such a way that the tip of the stylus will touch the middle way of the lead-in groove.
4. The adjusting screws ①, ② as shown in Fig. 3-3 are the screws to adjust the position of AUTO-IN to the disk sizes of 17 cm, 25 cm individually. Take for instance, in case if the position of AUTO-IN at the time of 17 cm is deviated, even if it is all right in case of AUTO-IN at 30 cm, turn the adjustment screw ② in Fig. 3-3 and adjust it. When the timing of AUTO-IN is sooner, turn it counterclockwise. To the contrary, if it is later, turn it clockwise and adjust it in such a way that it will touch the central position of the lead-in groove.
5. Carry out the paint locking to the abovementioned screws after adjustment.

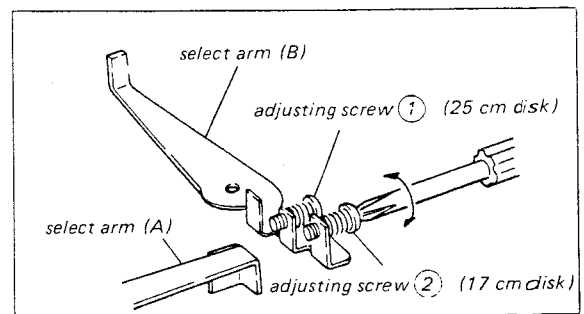


Fig. 3-3

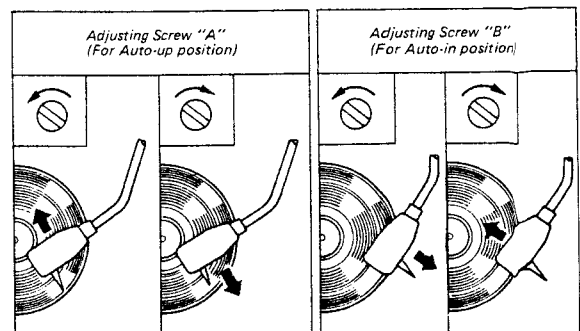


Fig. 3-4

4. OPERATION OF MECHANISM (See Fig. 4-1, 4-2, 4-3, 4-4, 4-5 and 4-6)

4-1. OPERATION OF AUTO MECHANISM

1. At the condition of STOP, the micro switch (SW1) and the start switch (Leaf switch) are OFF, on the other hand the micro switch (SW2) and the muting switch are ON.
2. When the auto lever is placed at START position, the start switch becomes ON and timing motor starts running.
The timing motor is coupled with starting cam and the starting cam controls the micro switch. When the timing motor starts running, the starting cam starts together and the micro switch (SW1) becomes ON from OFF.
(Therefore, as for start switch, the switch is turned ON temporarily.)
Simultaneously with it, the motor will start operating.
3. As the starting plate and starting cam are coupled with crank lever, the starting plate will be operated while the timing motor is being operated. As for the operation of the starting plate and starting cam, as the diameter of starting plate is larger as compared with that of starting cam, the starting plate turns up to a certain angle and then turns reversely by the same angle while the starting cam turns in one revolution.
4. When the timing motor, starting cam and starting plate are operated, the START/RETURN plate located at tip end of the starting plate will push the PU plate located at the lower part of the tone arm and it will keep pushing the tone arm until it reaches to the position of the lead-in groove of disk.
When it comes to this position, the select arm (B) (See Fig. 3-3) will serve as stopper and the START/RETURN plate which pushes PU plate so far will be turned over and it does not push the PU plate anymore.
Then, it is at AUTO-IN position.
5. When the tone arm comes to the AUTO-IN position, the starting cam will have turned in half revolution.
The micro switch (SW2) which is so far ON will be turned OFF, and the timing motor will stop. Simultaneously with it, the muting switch is turned OFF (cartridge at open condition) from ON (cartridge at shortcircuiting condition), and performance starts as the result.
6. In performance, the micro switch (SW2) is OFF, micro switch (SW1) is ON and muting switch is OFF. When performance proceeds and the tone arm traces up to the lead-out groove, the magnet located at tip end of PU plate comes at side of reed switch and turns on this reed switch. When the reed switch is turned ON, the timing motor will start running and the micro switch (SW2) will be turned ON.
7. When the timing motor starts operation once again, the starting cam will start next half revolution.
Then, the starting plate revolves contrary to that at the time of AUTO-IN. And, the START/RETURN plate pushes the PU plate from the reverse direction and makes tone arm return. However, when it comes to the position of arm rest, the tone arm is stopped by the stopper located on the arm base and the START/RETURN plate is turned over and the tone arm will land on the arm rest.
Thus, the starting cam will have turned in one revolution and the micro switch (SW1) will be turned OFF.
Thus, the motor and timing motor will stop their operation and they will return to the original stop condition.
8. When the auto lever is placed at position of REPEAT, the timing motor starts again because the start switch is ON even if the performance finished and the micro switch (SW1) becomes OFF.
Accordingly, as the micro switch (SW1) which is turned OFF is turned ON, REPEAT performance will be made.

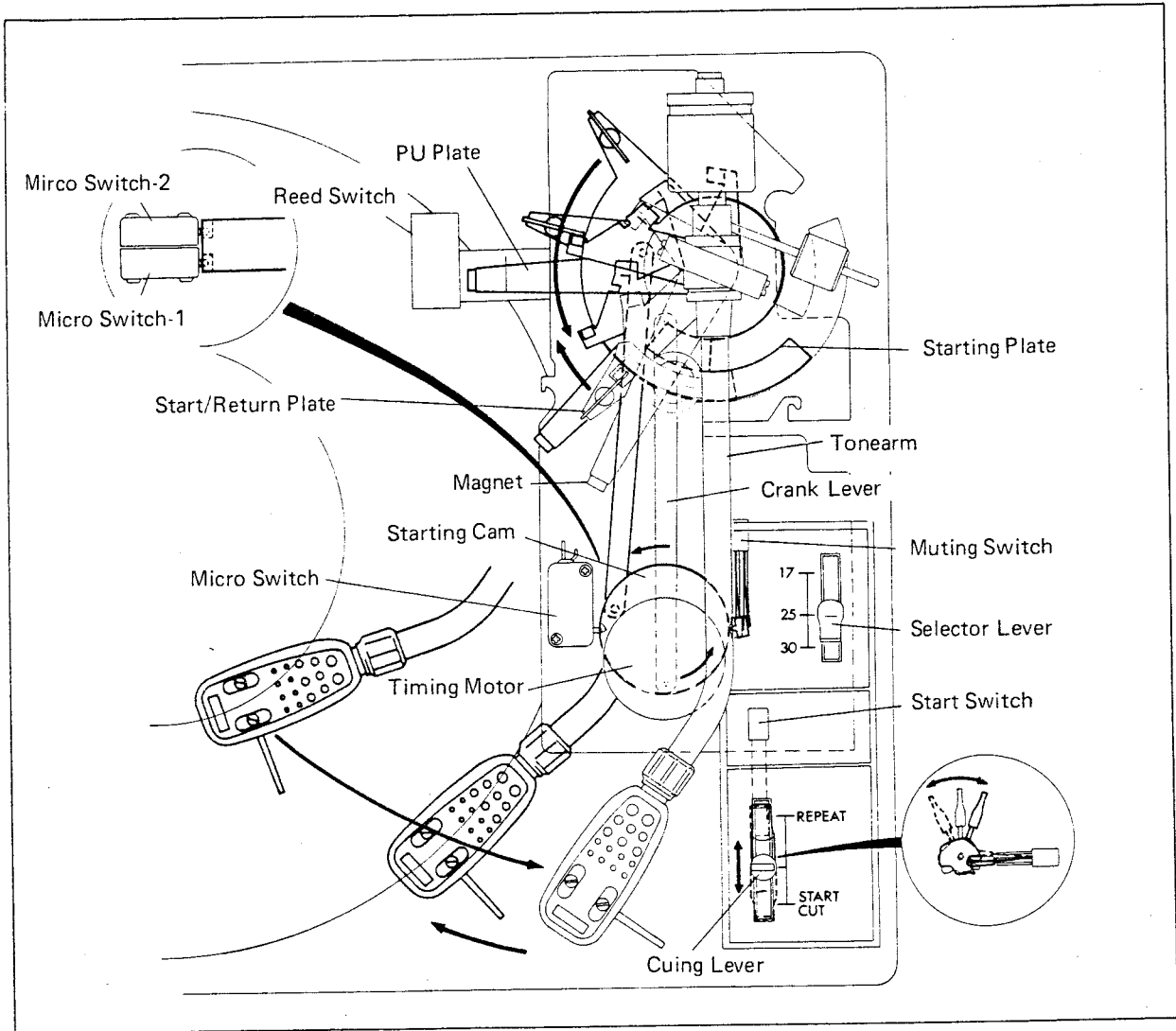
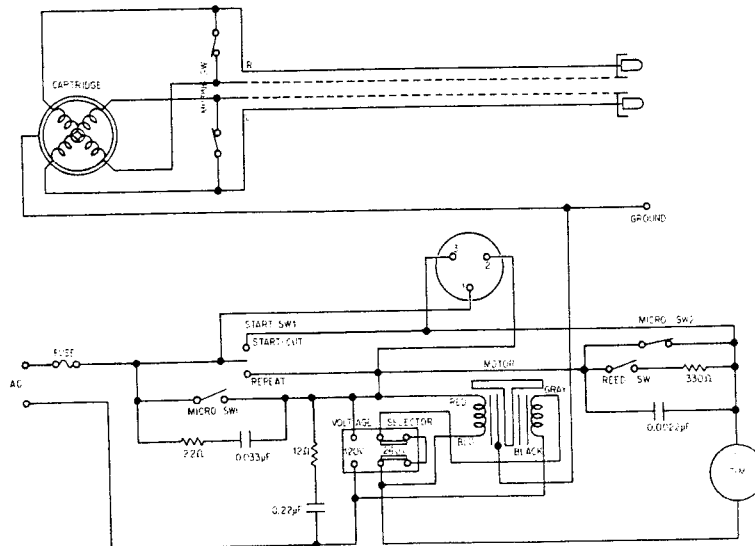


Fig. 4-1

◆ Schematic diagram ◆



4-2. OPERATION OF MANUAL MECHANISM

1. MANUAL OPERATION

- 1) Operate the turntable by setting the cuing lever to the START · CUT position.
- 2) Set the MANUAL LIFTER LEVER to the UP position, then set the tonearm to a suitable position picking up from the arm rest.
- 3) Then set the MANUAL LIFTER LEVER to the DOWN position. The machine begins performance when the stylus reaches on the surface of disk.
- 4) The tonearm returns automatically by the function of the reed switch when the stylus proceed as far the finishing groove after the end of performance. Therefore the MANUAL operation is made within the lead-in groove to the lead-out groove. If you want to stop in the middle of performance, set the MANUAL LIFTER LEVER to the UP position, then the stylus lifts up from the surface of disk.

2. MANUAL MOVEMENT

- 1) The MANUAL plate moves as shown in Fig. 4-2, when the tonearm is located at a suitable position.

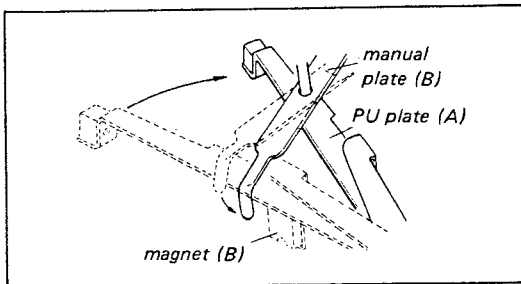


Fig. 4-2

- 2) Keeping the MANUAL plate on the position, set the cuing lever on the START · CUT position, the START/RETURN plate turns in a quarter revolution.

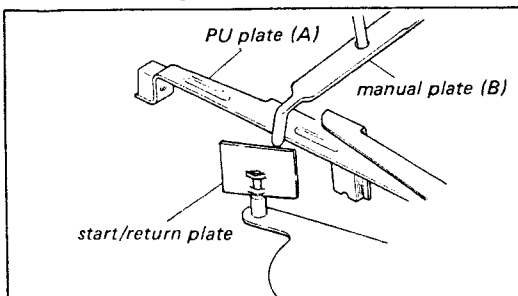


Fig. 4-3

- 3) As the START/RETURN plate passes by the magnet (B) without touching it, therefore, the manual operation is capable at any position between the lead-in groove and the finishing groove.

3. CAUTION ON REPAIRMENT OF THE MANUAL MECHANISM

- 1) The MANUAL plate (B) must not get off from the PU plate (A) when the tonearm is pulled in the outmost direction (right side direction).

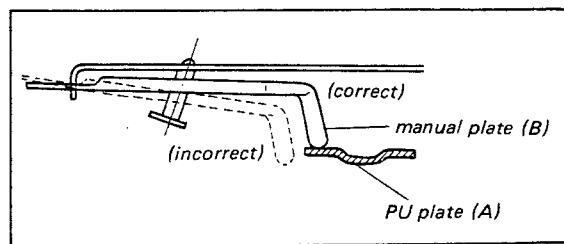


Fig. 4-4

- 2) The clearance between the MANUAL plate and the START/RETURN plate should be about 2mm when the tonearm moved about 3mm inside (left side) from the arm rest.

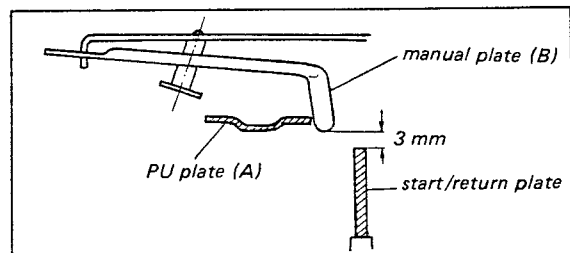


Fig. 4-5

- 3) The MANUAL plate must touch on the PU plate when the stylus came down on the first point of the modulated groove nearest to the lead-in groove of 30cm disk.

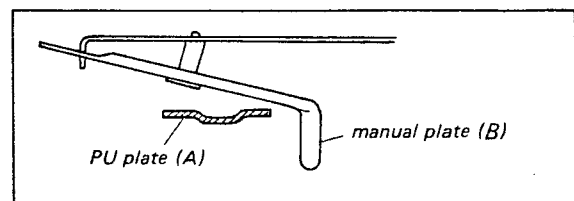
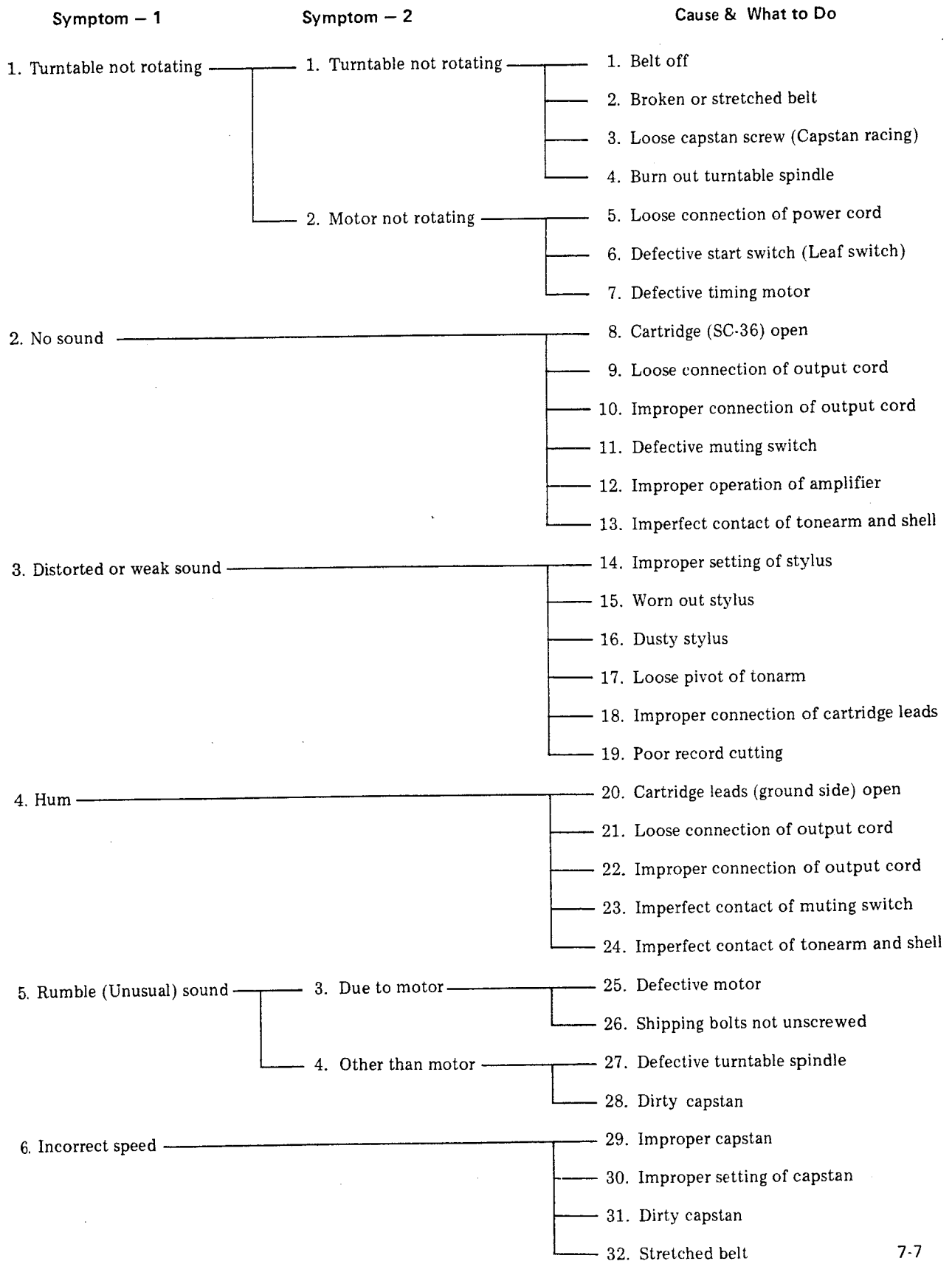
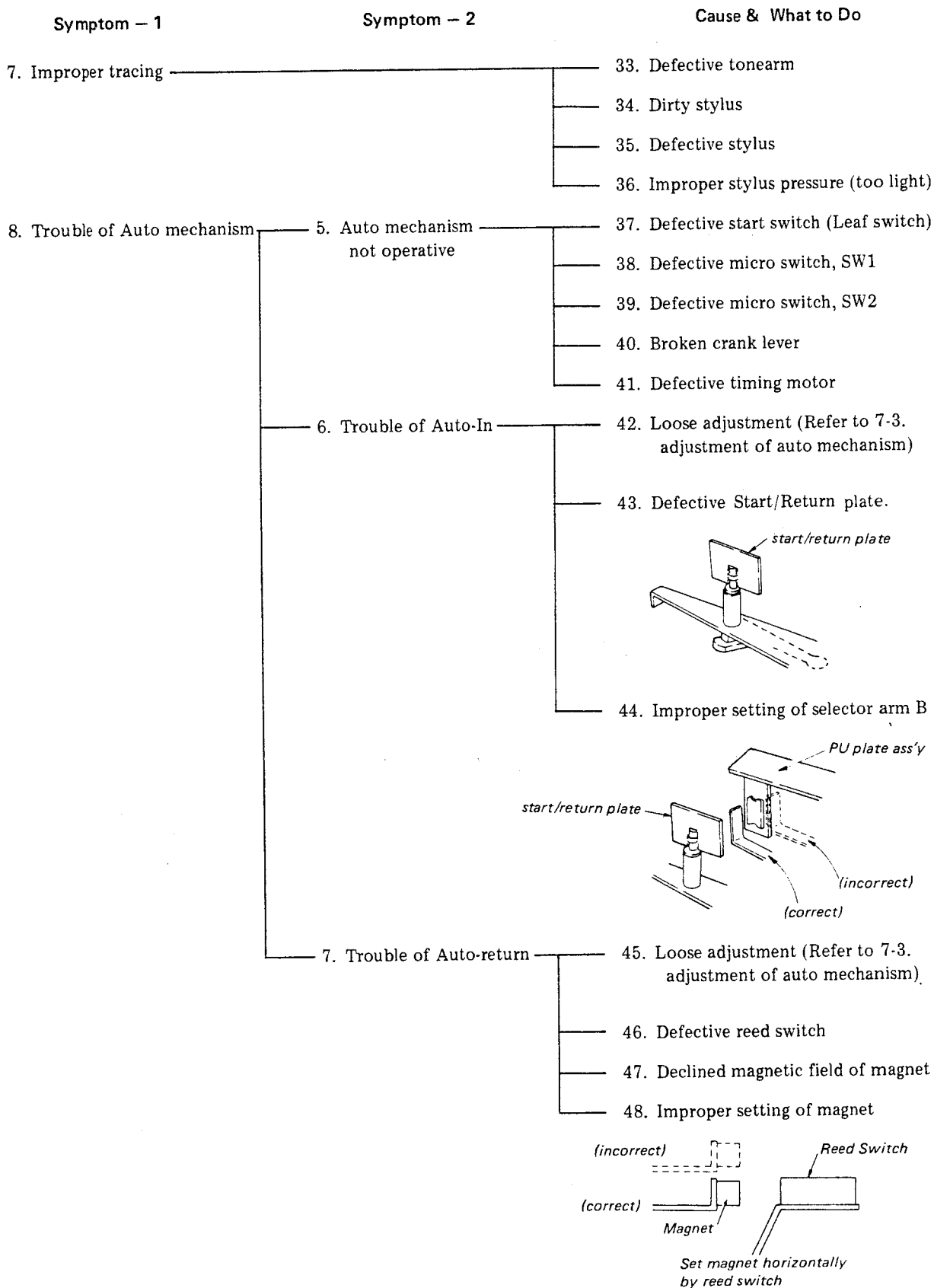


Fig. 4-6

5. TROUBLESHOOTING

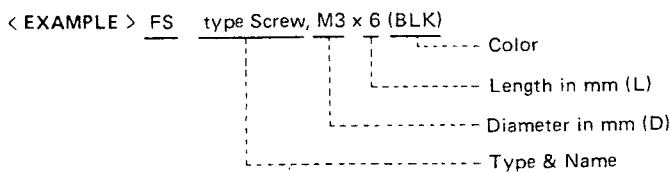




6. EXPLODED VIEW & PARTS LIST

Hardware Nomenclature

	Name	Abbreviation	Type	
SCREW	Pan Head Screw	P		
	Binding Head Screw	B		
	Binding Head Screw (Dog Point)	BD		
	Round Head Screw	R		
	Flat Countersunk Head Screw	F		
	Flat Countersunk Head SEMS Screw (E-Type)	FSE		
	Oval Countersunk Head Screw	O		
	Flat Fillister Screw	FS		
	Binding Head SEMS Screw (A-Type)	BSA		
	Binding Head SEMS Screw (B-Type)	BSB		
	Binding Head SEMS Screw (C-Type)	BSC		
	Pan Head SEMS Screw (B-Type)	PSB		
	Pan Head SEMS Screw (F-Type)	PSF		
	Pan Head Tapping Screw	PT		
	Oval Countersunk Wood Screw	OC		(JIS)
	Flat Countersunk Wood Screw	FC		(JIS)
	Round Head Wood Screw	RH		(JIS)
SETSCREW	Hex Socket Setscrew (Flat Point)	SF		
	Hex Socket Setscrew (Cone Point)	SC		
	Slot Type Setscrew	SS		
WASHER	Retaining Ring (E Washer)	E		
	Plane Washer	P		
	Spring Washer	S		
	Corrugated Washer	C		
	Toothed Lock Washer (Internal)	TLI		
	Toothed Lock Washer (External)	TLE		

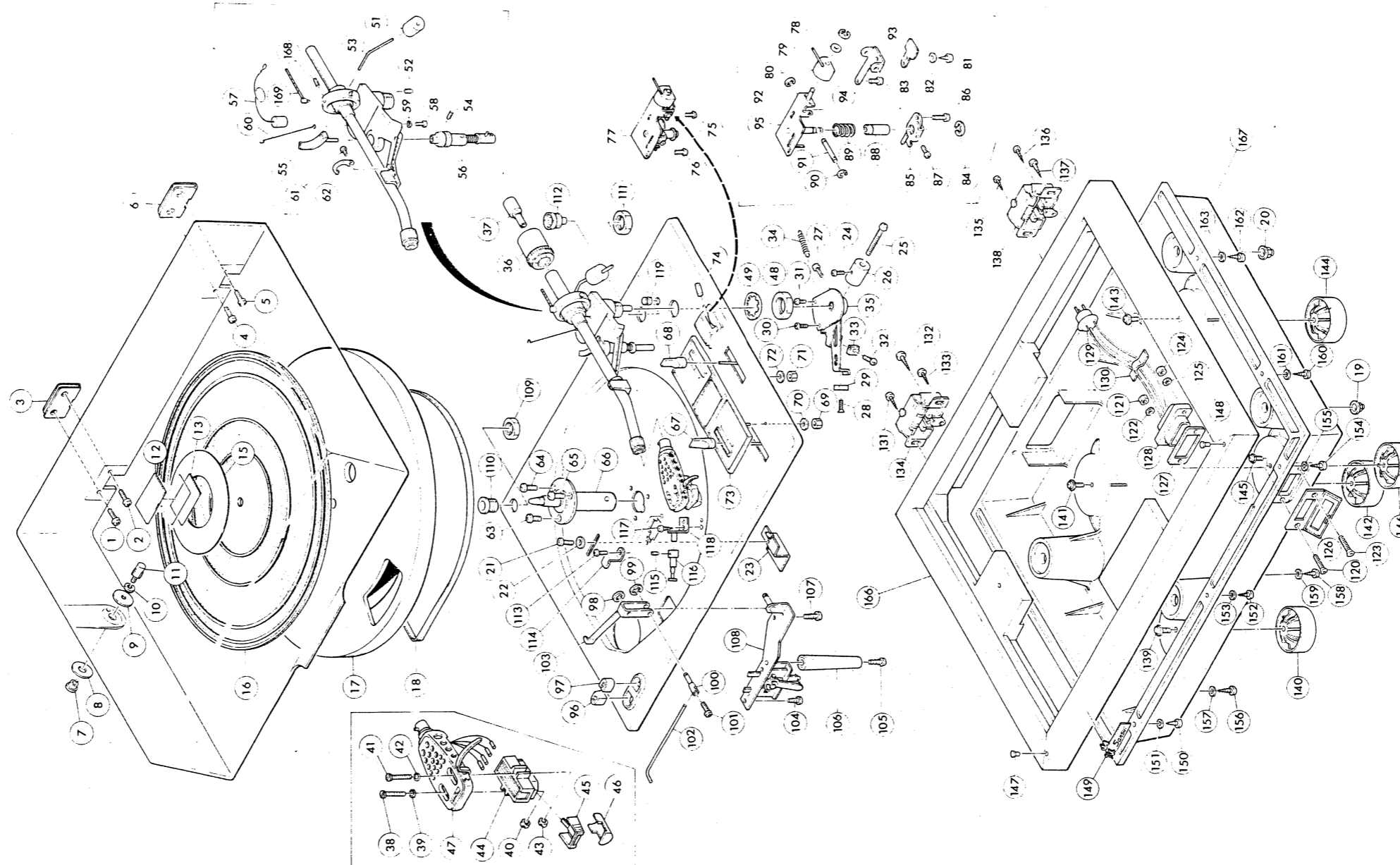


All screws conform to ISO standards, unless otherwise noted.

6-1. Exploded View and parts List (See Fig. 6-1)

Parts No.	Stock No.	Description	Parts No.	Stock No.	Description
1	5101263	B Type Screw, M 4 x 10	61	5103003	P Type Screw, M 2 x 5 (BLK)
2	5101263	B Type Screw, M 4 x 10	62	6412070	Cramp, rest
3	6922141	Lock Plate A	63	5103562	PT Type Screw, M 4 x 8
4	5101263	B Type Screw, M 4 x 10	64	5103562	PT Type Screw, M 4 x 8
5	5101263	B Type Screw, M 4 x 10	65	5103562	PT Type Screw, M 4 x 8
6	6922141	Lock Plate A	66	7032062	Spindle Ass'y, turntable
7	5172011	Setscrew	67	5312081	Cap, Cueing Lever
8	5182040	P Type Washer, 5 x 20 x 1	68	5312081	Cap, Selector lever
9	5182030	P Type Washer, 3 x 20 x 1	69	5110341	Hex. Nut, M 3
10	5121240	S Type Washer, 3 φ	70	5182050	P Type Washer, 4 x 15 x 1
11	5212011	Adaptor Stay	71	5110341	Hex. Nut, M 3
12	5362012	Name Plate, dust cover	72	5182050	P Type Washer, 4 x 15 x 1
13	5362012	Name Plate, dust cover	73	5362240	Control Base
14	5062101	Dust Cover	74	5312070	Cap, Manual lifter
15	5392050	Ring, turntable	75	5103541	PT Type Screw, M 3 x 6
16	5502112	Rubber Mat, turntable	76	5103541	PT Type Screw, M 3 x 6
17	6112010	Turntable	77		Manual Lifter Ass'y
18	6032131	Belt	78	5151002	E Type Ring, 2 φ
19	5172140	Self Locking Nut, M 4	79	5124080	P Type Washer, 5 x 12 x 0.8 (Fiber)
20	5172140	Self Locking Nut, M 4	80	6012171	Manual Lever
21	5101062	P Type Screw, M 4 x 8	81	5103540	PT Type Screw, M 3 x 5
22	5182090	P Type Washer, 4 x 11 x 0.8	82	5182250	P Type Washer, 3 x 10 x 0.8
23	5222131	Lock Plate B	83	6902531	Plate Spring A
24	5103025	P Type Screw, M 2.6 x 8	84	5151005	E Type Ring, 4 φ
25	5103072	P Type Screw, M 4 x 40	85	5242262	Climbing Angle
26	6912141	Arm Balancer	86	5103027	P Type Screw, M 2.6 x 12
27	5103044	P Type Screw, M 3 x 8	87	5103044	P Type Screw, M 3 x 8
28	5106624	F Type Screw, M 2.6 x 8 (Polycarbonate)	88	6442022	Cylinder
29	5992010	Magnet A	89	6902640	Spring, Manual lifter
30	5162260	BD Type Screw, M 3 x 10 (Dog Point, 2)	90	5151002	E Type Ring, 2 φ
31	5162260	BD Type Screw, M 3 x 10 (Dog Point, 2)	91	6202251	Shaft, Manual lifter
32	5162260	B Type Screw, M 2.6 x 4	92	5151002	E Type Ring, 2 φ
33	5992031	Magnet B	93	6502403	Seesaw Plate A
34	6902330	Spring, PU plate	94	5103025	P Type Screw, M 2.6 x 8
35	7052320	PU Plate Ass'y	95	5222092	Bracket, Manual lifter
36	6912220	Weight, Main	96	5322020	Push Button A
37	6912250	Weight, Sub	97	5322010	Push Button B
38	5162190	FS Type Screw, M 2.6 x 15 (BLK)	98	5151004	E Type Ring, 3 φ
39	5182120	Washer, rigid polyvinyle chloride	99	5151005	E Type Ring, 4 φ
40	5172090	Nut, M 2.6	100	6212040	Adjusting Shaft
41	5162190	FS Type Screw, M 2.6 x 15 (BLK)	101	5103044	P Type Screw, M 3 x 8
42	5182120	Washer, rigid polyvinyle chloride	102	6532051	Linkage Rod
43	5172090	Nut, M 2.6	103	6502491	Guide, belt
44	4310080	Cartridge (SC-36)	104	5103541	PT Type Screw, M 3 x 6
45	4940080	Stylus (SN-36)	105	5103542	PT Type Screw, M 3 x 8
46	5062190	Cover, stylus	106	5292050	Pole Protector
47	6642050	Shell	107	5103541	PT Type Screw, M 3 x 6
48	5172070	Hex. Nut, M 16	108	7002061	Speed Selector Base Ass'y
49	5182110	TLI Type Washer, 16 φ	109	5172060	Hex. Nut, M 14
50	7092140	Tonearm Ass'y	110	5252050	Holder, shell
51	6912230	Weight, lateral	111	5172060	Hex. Nut, M 14
52	5105520	SS Type Screw, M 2.6 x 3	112	5252070	Holder, sub weight
53	6622090	Lateral Bar	113	5103044	P Type Screw, M 3 x 8
54	5105520	SS Type Screw, M 2.6 x 3	114	5242270	Angle, seesaw switch
55	5292140	Guide, tonearm	115	5105541	SS Type Screw, M 3 x 4
56	7082100	Arm Lifter	116	6142193	Capstan (50 Hz)
57	6912240	Weight, Bias	117	5101062	P Type Screw, M 4 x 8
58	5103002	P Type Screw, M 2 x 4	118	5262180	Holder, capstan
59	5121001	S Type Washer, 2 φ	119	5062130	Rubber Bushing
60	5252090	I. F. C Stand	120	5102651	F Type Screw, M 3 x 25 (BLK)

Fig. 6-1



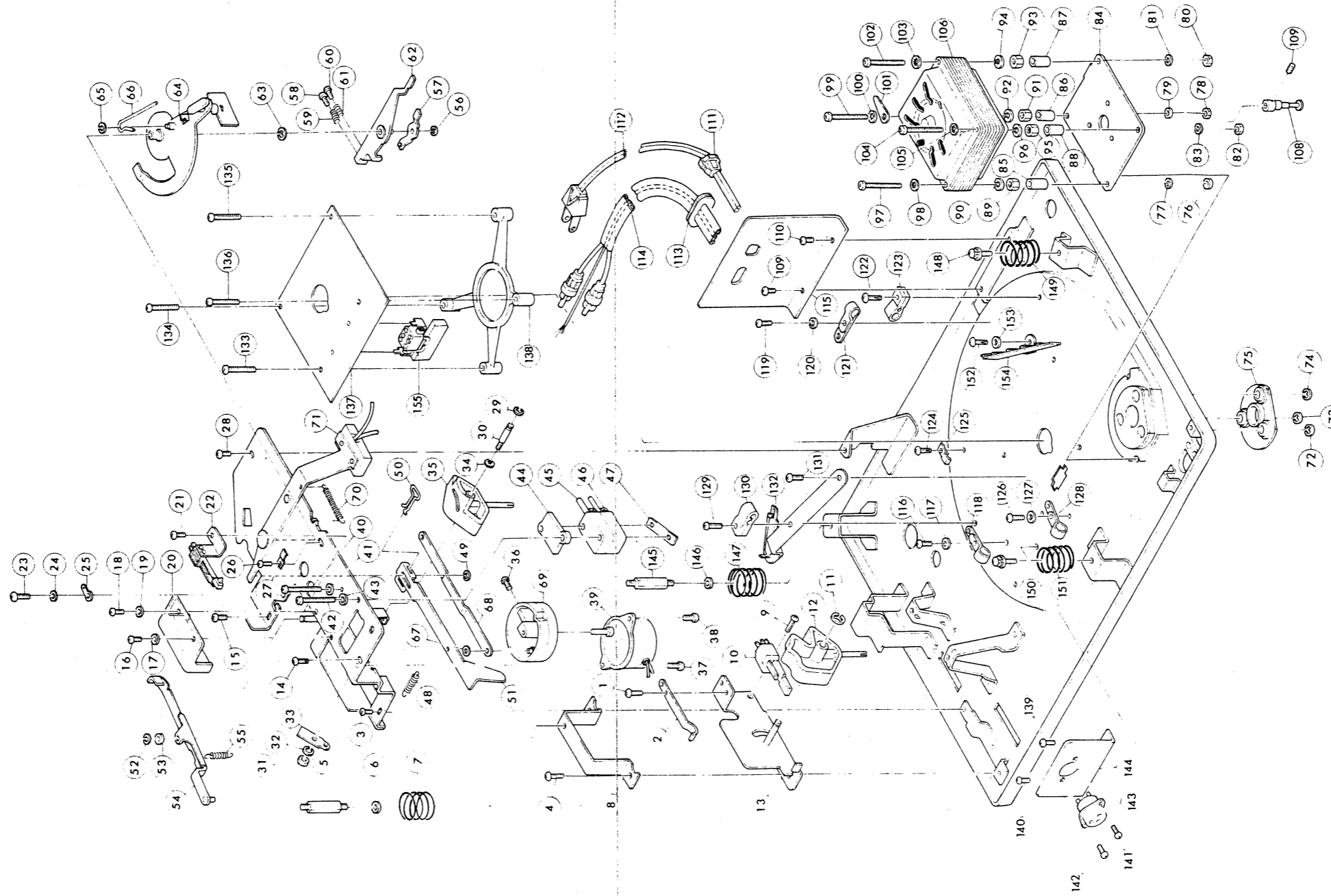
Parts No.	Stock No.	Description
121	5110241	Hex. Nut, M 3
122	5120341	P Type Washer, 3 x 8 x 0.5
123	5102651	F Type Screw, M 3 x 25 (BLK)
124	5110241	Hex. Nut, M 3
125	5120341	P Type Washer, 3 x 8 x 0.5
126	5302051	Cap, remote control socket A
127	5232180	Spacer, socket
128	2410421	Remote Control Socket A
129	3850040	3 P Plug
130	3910430	Press Clip
131	5140027	RH Type Screw, M 3.1 x 16
132	5140027	RH Type Screw, M 3.1 x 16
133	5140027	RH Type Screw, M 3.1 x 16

Parts No.	Stock No.	Description
134	6922131	Auto Hinge
135	5140027	RH Type Screw, M 3.1 x 16
136	5140027	RH Type Screw, M 3.1 x 16
137	5140027	RH Type Screw, M 3.1 x 16
138	6922131	Auto Hinge
139	5101562	PSF Type Screw, M 4 x 8
140	5592010	Insulator
141	5101562	PSF Type Screw, M 4 x 8
142	5592010	Insulator
143	5101562	PSF Type Screw, M 4 x 8
144	5592010	Insulator
145	5101562	PSF Type Screw, M 4 x 8
146	5592010	Insulator

Parts No.	Stock No.	Description
147	5502021	Rubber Cushion
148	5502021	Rubber Cushion
149	5332022	Badge
150	5140027	RH Type Screw, M 3.1 x 6
151	5120341	P Type Washer, 3 φ
152	5140027	RH Type Screw, M 3.1 x 16
153	5120341	P Type Washer, 3 φ
154	5140027	RH Type Screw, M 3.1 x 16
155	5120341	P Type Washer, 3 φ
156	5140027	RH Type Screw, M 3.1 x 16
157	5120341	P Type Washer, 3 φ
158	5140027	RH Type Screw, M 3.1 x 16
159	5120341	P Type Washer, 3 φ

Parts No.	Stock No.	Description
160	5140027	RH Type Screw, M 3.1 x 16
161	5120341	P Type Washer, 3 φ
162	5140027	RH Type Screw, M 3.1 x 16
163	5120341	P Type Washer, 3 φ
164	5140027	RH Type Screw, M 3.1 x 16
165	5120341	P Type Washer, 3 φ
166	5732230	Cabinet
167	5732163	Bottom Cover
168	5106141	SS Type Screw, M 3 x 4
169	6622110	I.F.C Bar

Fig. 6-2



Parts No.	Stock No.	Description	Parts No.	Stock No.	Description	Parts No.	Stock No.	Description
121	3910210	Cord Crammer A	133	5103546	PT Type Screw, M 3 x 20	145	5162270	Screw, spring attachment
122	5103545	PT Type Screw, M 3 x 16	134	5103546	PT Type Screw, M 3 x 20	146	5120161	P Type Washer, 4 φ
123	3910320	Cord Crammer B	135	5103546	PT Type Screw, M 3 x 20	147	6902162	Spring, float (YELLOW)
124	5103541	PT Type Screw, M 3 x 6	136	5103546	PT Type Screw, M 3 x 20	148	5107762	PSB Type Screw, M 4 x 8
125	5262170	Cord Crammer C	137	7732040	P. C. Board Ass'y	149	6902302	Spring float (RED)
126	5103541	PT Type Screw, M 3 x 6	138	5212120	P. C. Board Stay	150	5107762	PSB Type Screw, M 4 x 8
127	5120341	P Type Washer, 3 φ	139	5103541	PT Type Screw, M 3 x 6	151	6902292	Spring float (BLUE)
128	3910210	Cord Crammer A	140	5103541	PT Type Screw, M 3 x 6	152	5103541	PT Type Screw, M 3 x 6
129	5103545	PT Type Screw, M 3 x 16	141	5103541	PT Type Screw, M 3 x 6	153	5120161	P Type Washer, 3 φ
130	3910320	Cord Crammer B	142	5103541	PT Type Screw, M 3 x 6	154	2110020	Terminal 1L 4P
131	5103541	PT Type Screw, M 3 x 6	143	2410330	Socket B, remote control	155	1120030	See saw Switch
132	7052311	Manual Plate Ass'y	144	5222050	Holder, socket			

6-2. Exploded View and Parts List (See Fig. 6-2)

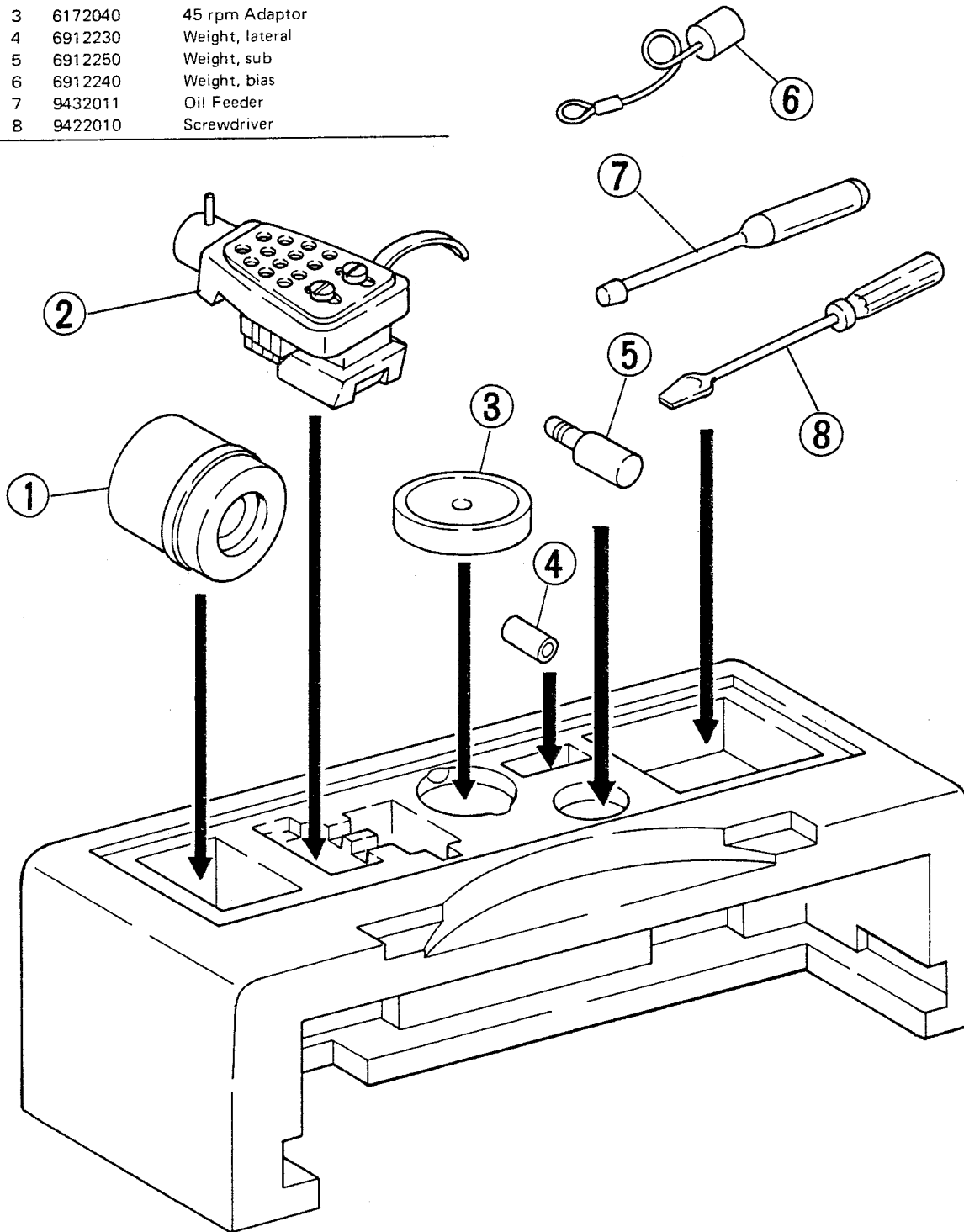
Parts No.	Stock No.	Description	Parts No.	Stock No.	Description
1	5103541	PT Type Screw, M 3 x 6	61	6902410	Adjusting Spring
2	6902370	Spring, Start Cam	62	6502500	Selector Arm B
3	5103542	PT Type Screw, M 3 x 8	63	5151004	E Type Ring, 3 φ
4	5103541	PT Type Screw, M 3 x 6	64	7062160	Starting Plate Ass'y
5	5162270	Screw, spring attachment	65	5151002	E Type Ring, 2 φ
6	5120161	P Type Washer, 4 φ	66	6902630	Lead-in Spring
7	6902580	Spring, float (Green)	67	5172120	Circular External Ring, 2 φ
8	5212110	Stay, spring	68	6502247	Crank Lever
9	5103541	PT Type Screw, M 3 x 6	69	6012190	Starting Cam
10	1190130	Start Switch	70	6902320	Spring, switch arm
11	5151006	E Type Ring, 5 φ	71	1190130	Reed Switch
12	6012090	Cam, cueing lever	72	5151005	E Type Ring 4 φ
13	5262090	Holder, cam	73	5151005	E Type Ring, 4 φ
14	5103541	PT Type Screw, M 3 x 6	74	5151005	E Type Ring, 4 φ
15	5103541	PT Type Screw, M 3 x 6	75	5502280	Rubber, motor cushion
16	5103541	PT Type Screw, M 3 x 6	76	5110361	Hex. Nut, M4
17	5120141	P Type Washer, 3 φ	77	5121060	S Type Washer, 4 φ
18	5103541	PT Type Screw, M 3 x 6	78	5110361	Hex. Nut, M4
19	5120141	P Type Washer, 3 φ	79	5121060	S Type Washer, 4 φ
20	5062124	Cover, switch	80	5110361	Hex. Nut, M4
21	5103541	PT Type Screw, M 3 x 6	81	5121060	S Type Washer, 4 φ
22	1190140	Mute Switch	82	5110361	Hex. Nut, M4
23	5103541	PT Type Screw, M 3 x 6	83	5121060	S Type Washer, 4 φ
24	5162180	Cord Crammer C	84	5242170	Sheet, motor
25	2120010	Terminal, lug	85	5232222	Spacer, motor
26	5103541	PT Type Screw, M 3 x 6	86	5232222	Spacer, motor
27	5262170	Cord Crammer C	87	5232222	Spacer, motor
28	5103541	PT Type Screw, M 3 x 6	88	5232222	Spacer, motor
29	5151005	E Type Ring, 4 φ	89	5110361	Hex. Nut, M4
30	6202160	Shaft, selector cam	90	5121060	S Type Washer, 4 φ
31	5110361	Hex. Nut, M4	91	5110361	Hex. Nut, M4
32	5121260	S Type Washer, 3 φ	92	5121060	S Type Washer, 4 φ
33	6902350	Plate Spring	93	5110361	Hex. Nut, M4
34	5172120	Circular External Ring, 2 φ	94	5121060	S Type Washer, 4 φ
35	6012104	Selector Cam	95	5110361	Hex. Nut, M4
36	5103005	P Type Screw, M 2.6 x 8	96	5121060	S Type Washer, 4 φ
37	5103541	PT Type Screw, M 3 x 6	97	5103072	P Type Screw, M 4 x 40
38	5103541	PT Type Screw, M 3 x 6	98	5122560	TLI Type Washer, 4 φ
39	4320160	Timing Motor	99	5103072	P Type Screw, M 4 x 40
40	5103052	P Type Screw, M 3 x 30	100	5122560	TLI Type Washer, 4 φ
41	5121340	S Type Washer, 3 φ	101	2120000	Terminal
42	5103052	P Type Screw, M 3 x 30	102	5103072	P Type Screw, M 4 x 40
43	5121340	S Type Washer, 3 φ	103	5122560	TLI Type Washer, 4 φ
44	5622040	Sheet, micro switch	104	5103072	P Type Screw, M 4 x 40
45	1160150	Micro Switch	105	5122560	TLI Type Washer, 4 φ
46	1160150	Micro Switch	106	4320200	Motor
47	5242190	Plate Nut	107	5105541	SS Type Screw, M 3 x 4
48	6902390	Spring A, tension Plate	108	6142203	Capstan (60 Hz)
49	5151002	E Type Ring, 2 φ	109	5103541	PT Type Screw, M 3 x 6
50	6902390	Spring B, tension Plate	110	5103541	PT Type Screw, M 3 x 6
51	6502292	Tension Plate	111	3910330	Cord Stopper
52	5151004	E Type Ring, 3 φ	112	3800170	AC Cord
53		P Type Washer, (Fiber)	113	5502340	Rubber Bushing A
54	7052242	Selector Arm A	114	3810160	Out Put Cord
55	6902330	Spring, selector Arm A	115	5222103	Holder, cord
56	5151004	E Type Ring, 3 φ	116	5103541	PT Type Screw, M 3 x 6
57	6902500	Special Washer	117	5120341	P Type Washer, 3 φ
58	5162210	Special Screw, M 2.6 x 8	118	3910210	Cord Crammer A
59	6902410	Adjusting Spring	119	5103541	PT Type Screw, M 3 x 6
60	5162210	Special Screw, M 2.6 x 8	120	5120341	P Type Washer, 3 φ



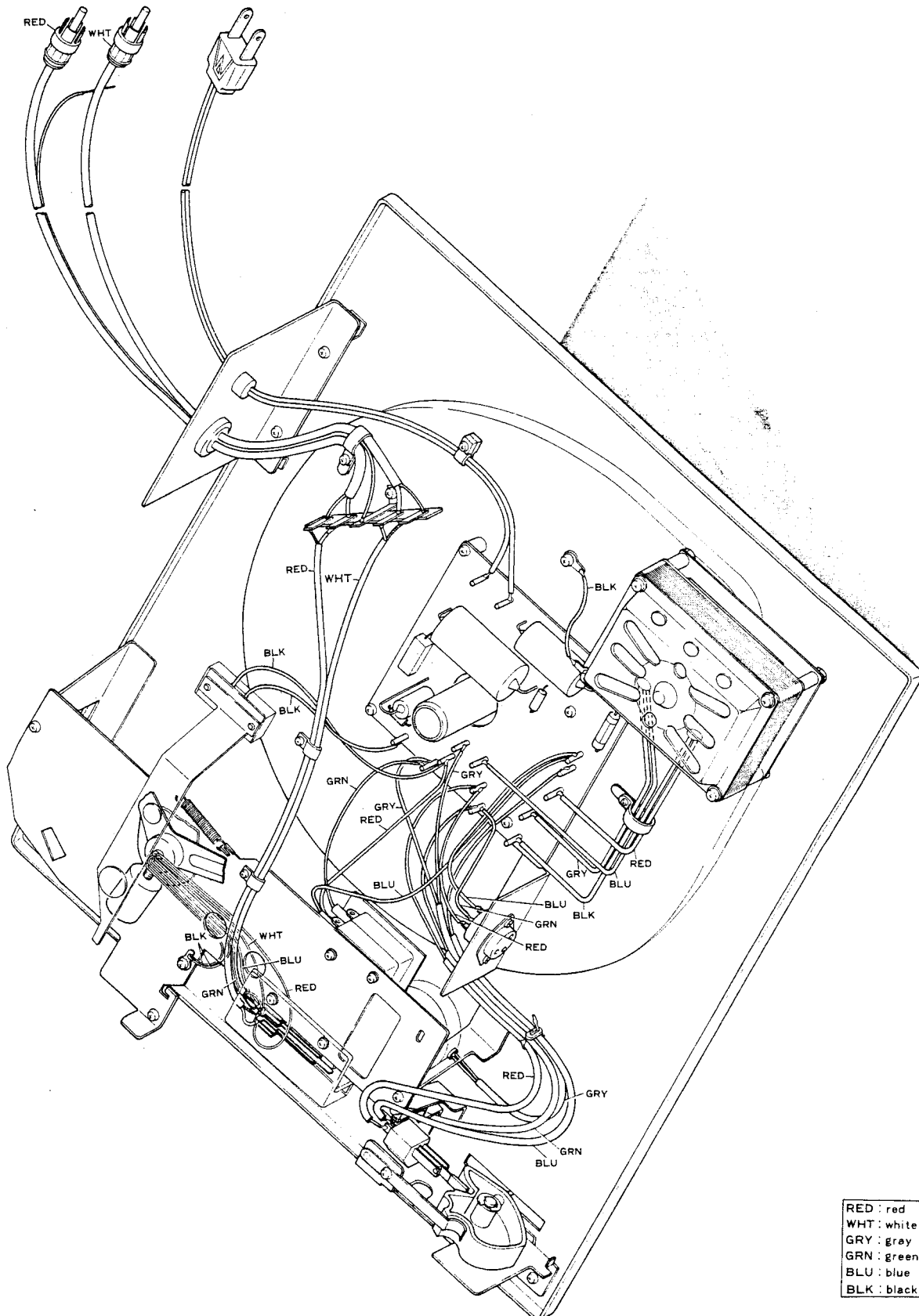
FR3060

6-3. Accessories List

Parts No.	Stock No.	Description
1	6912220	Weight, main
2		Shell (With Cartridge)
3	6172040	45 rpm Adaptor
4	6912230	Weight, lateral
5	6912250	Weight, sub
6	6912240	Weight, bias
7	9432011	Oil Feeder
8	9422010	Screwdriver



7. WIRING DIAGRAM



RED : red
WHT : white
GRY : gray
GRN : green
BLU : blue
BLK : black